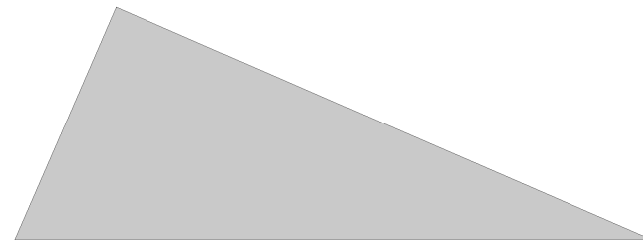
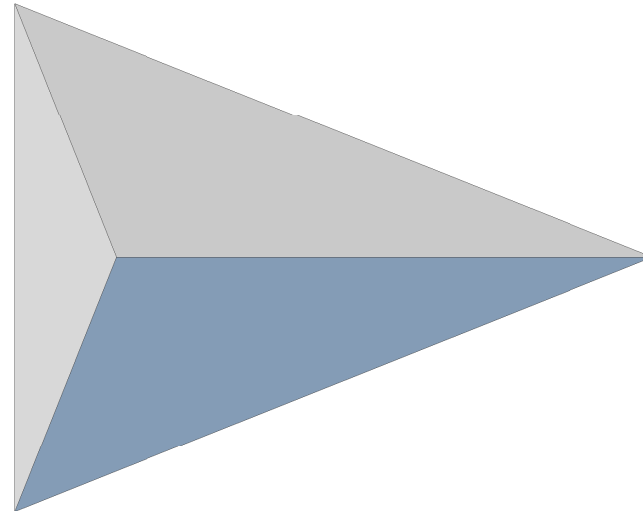
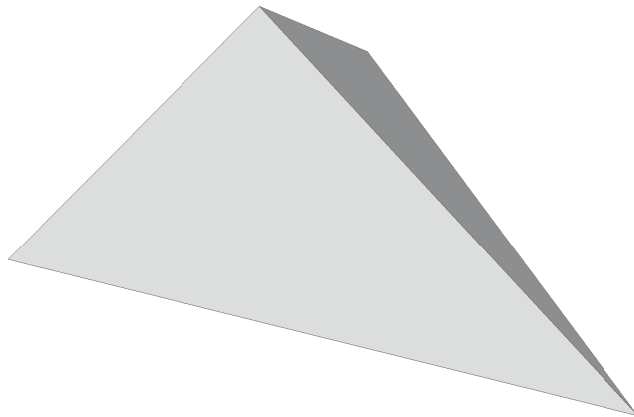
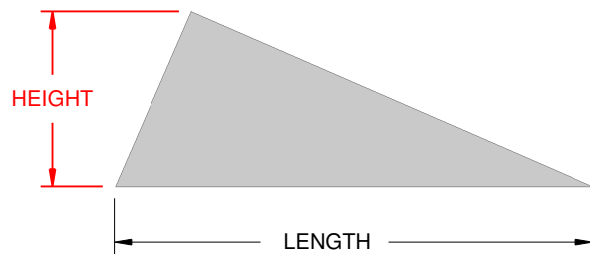
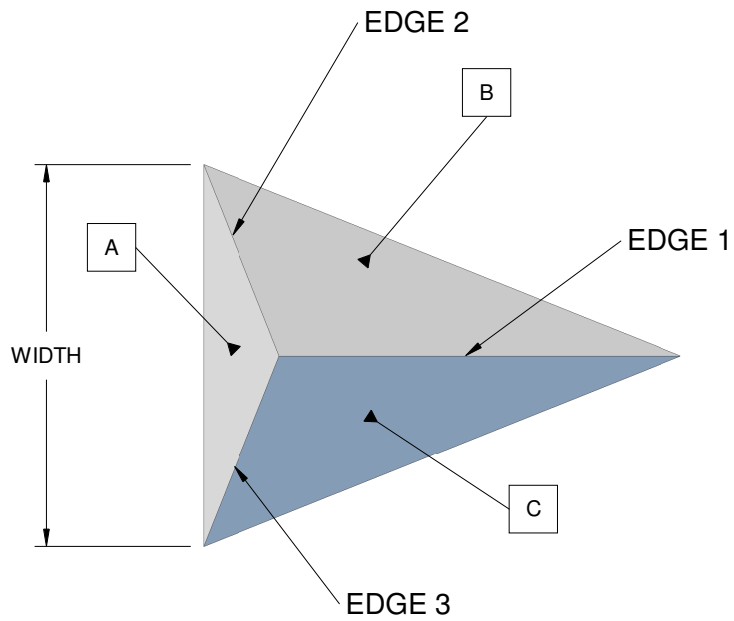


NOTES:

1. THIS DOCUMENT IS FOR REFERENCE ONLY. MATERIAL SELECTION AND ASSEMBLY PROCEDURES ARE UP TO YOU. BUILD SMART, BE SAFE.
2. OVERALL VOLUME DIMENSIONS ROUNDED TO THE NEAREST 1/2" (1cm).
3. INDIVIDUAL PANEL DIMENSIONS ROUNDED TO NEAREST 1/16" (0.1cm).
4. ANGLE DIMENSIONS ROUNDED TO NEAREST DEGREE.
5. SEE SHEET 2 FOR VOLUME DETAIL AND PANEL CALLOUTS.
6. SEE SHEETS 3 AND 4 FOR PANEL A PROPERTIES.
7. SEE SHEETS 5 AND 6 FOR PANEL B PROPERTIES.
8. SEE SHEETS 7 AND 8 FOR PANEL C PROPERTIES.



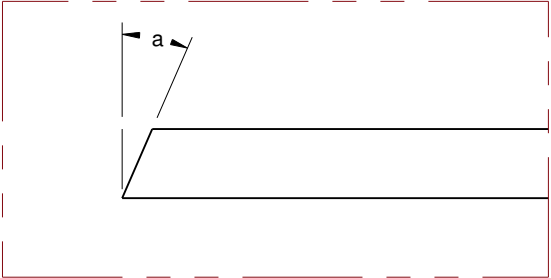
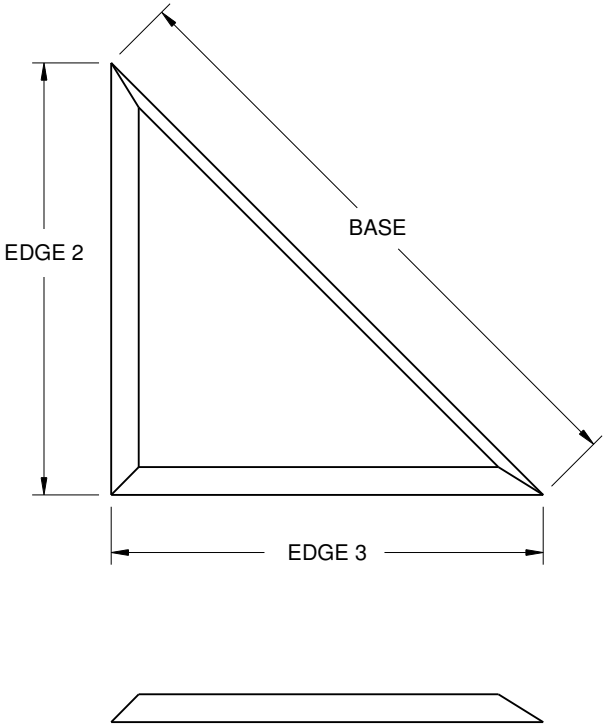
PROJECT:			
<b>EUCLID</b>			
PROJECTBACKROADS.COM			
DESCRIPTION			
PYRAMID, 3 PANEL, BOX CORNER, SYMMETRIC			
SIZE	REV	PART#	SHEET
<b>A</b>	-	<b>DWG-0001</b>	1 OF 8



Number	WIDTH		LENGTH		HEIGHT	
	INCH	(cm)	INCH	(cm)	INCH	(cm)
VOL-0034	6	(15)	6	(15)	3	(8)
VOL-0035	6	(15)	8	(20)	3	(8)
VOL-0036	6	(15)	12	(30)	3	(8)
VOL-0037	8	(20)	8	(20)	4	(10)
VOL-0038	8	(20)	12	(30)	4	(10)
VOL-0039	8	(20)	16	(41)	4	(10)
VOL-0040	10	(25)	8	(20)	4	(10)
VOL-0041	10	(25)	12	(30)	5	(13)
VOL-0042	10	(25)	16	(41)	5	(13)
VOL-0043	10	(25)	20	(51)	5	(13)
VOL-0044	10	(25)	24	(61)	5	(13)
VOL-0045	12	(30)	8	(20)	4	(10)
VOL-0046	12	(30)	12	(30)	6	(15)
VOL-0047	12	(30)	16	(41)	6	(15)
VOL-0048	12	(30)	20	(51)	6	(15)
VOL-0049	12	(30)	24	(61)	6	(15)
VOL-0050	16	(41)	12	(30)	7	(18)
VOL-0051	16	(41)	16	(41)	8	(20)
VOL-0052	16	(41)	20	(51)	8	(20)
VOL-0053	16	(41)	24	(61)	8	(20)
VOL-0054	16	(41)	36	(91)	8	(20)
VOL-0055	16	(41)	48	(122)	8	(20)
VOL-0056	20	(51)	12	(30)	6	(15)
VOL-0057	20	(51)	16	(41)	9	(23)
VOL-0058	20	(51)	20	(51)	10	(25)
VOL-0059	20	(51)	24	(61)	10	(25)
VOL-0060	20	(51)	36	(91)	10	(25)
VOL-0061	20	(51)	48	(122)	10	(25)
VOL-0062	24	(61)	16	(41)	9	(23)
VOL-0063	24	(61)	20	(51)	11	(28)
VOL-0064	24	(61)	24	(61)	12	(30)
VOL-0065	24	(61)	36	(91)	12	(30)
VOL-0066	24	(61)	48	(122)	12	(30)

PROJECT:			
<b>EUCLID</b>			
PROJECTBACKROADS.COM			
DESCRIPTION			
PYRAMID, 3 PANEL, BOX			
CORNER, SYMMETRIC			
SIZE	REV	PART#	SHEET
<b>A</b>	-	<b>DWG-0001</b>	<b>2 OF 8</b>

# PANEL A



PROJECT:			
<b>EUCLID</b>			
PROJECTBACKROADS.COM			
DESCRIPTION			
PYRAMID, 3 PANEL, BOX			
CORNER, SYMMETRIC			
SIZE	REV	PART#	SHEET
<b>A</b>	-	<b>DWG-0001</b>	3 OF 8

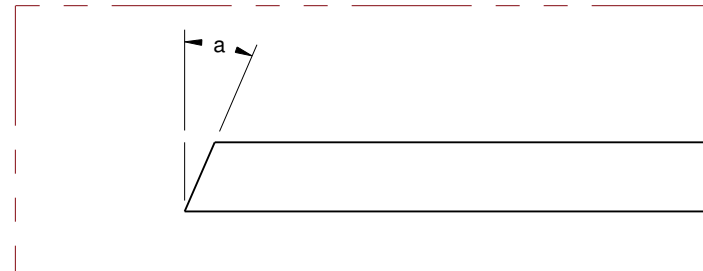
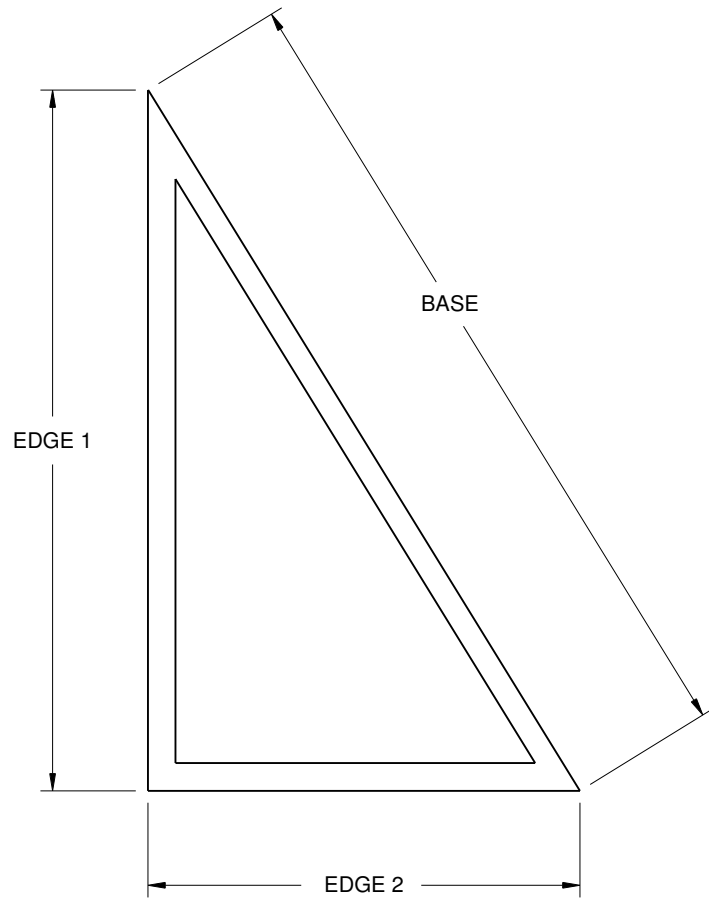
# PANEL A DIMENSIONS

NUMBER	BASE		CUT ANGLE (a)	EDGE 2		CUT ANGLE (a)	EDGE 3		CUT ANGLE (a)
	LENGTH			LENGTH			LENGTH		
	INCH	cm		INCH	cm		INCH	cm	
VOL-0034	6	(15.2)	29°	4.25	(10.8)	45°	4.25	(10.8)	45°
VOL-0035			22°						
VOL-0036			14°						
VOL-0037	8.125	(20.6)	30°	5.75	(14.6)	45°	5.75	(14.6)	45°
VOL-0038			20°						
VOL-0039			15°						
VOL-0040	9.875	(25.1)	38°	7	(17.8)	45°	7	(17.8)	45°
VOL-0041			24°						
VOL-0042			18°						
VOL-0043			14°						
VOL-0044			12°						
VOL-0045	12	(30.5)	49°	8.5	(21.6)	45°	8.5	(21.6)	45°
VOL-0046			30°						
VOL-0047			22°						
VOL-0048			18°						
VOL-0049			14°						
VOL-0050	15.938	(40.5)	41°	11.25	(28.6)	45°	11.25	(28.6)	45°
VOL-0051			30°						
VOL-0052			24°						
VOL-0053			19°						
VOL-0054			13°						
VOL-0055			10°						
VOL-0056	20.125	(51.1)	56°	14.25	(36.2)	45°	14.25	(36.2)	45°
VOL-0057			39°						
VOL-0058			30°						
VOL-0059			25°						
VOL-0060			16°						
VOL-0061			12°						
VOL-0062	24.062	(61.1)	49°	17	(43.2)	45°	17	(43.2)	45°
VOL-0063			37°						
VOL-0064			30°						
VOL-0065			19°						
VOL-0066			14°						

DECIMAL	FRACTION
0.063	1/16
0.125	1/8
0.188	3/16
0.250	1/4
0.313	5/16
0.375	3/8
0.438	7/16
0.500	1/2
0.563	9/16
0.625	5/8
0.688	11/16
0.750	3/4
0.813	13/16
0.875	7/8
0.938	15/16

PROJECT:			
<b>EUCLID</b>			
PROJECTBACKROADS.COM			
DESCRIPTION			
PYRAMID, 3 PANEL, BOX			
CORNER, SYMMETRIC			
SIZE	REV	PART#	SHEET
<b>A</b>	-	<b>DWG-0001</b>	4 OF 8

# PANEL B



PROJECT:			
<b>EUCLID</b>			
PROJECTBACKROADS.COM			
DESCRIPTION			
PYRAMID, 3 PANEL, BOX			
CORNER, SYMMETRIC			
SIZE	REV	PART#	SHEET
<b>A</b>	-	<b>DWG-0001</b>	5 OF 8

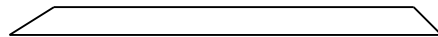
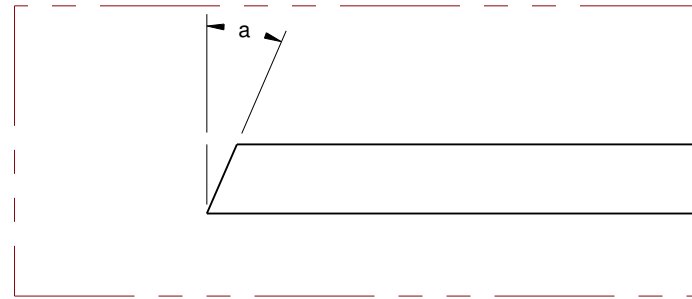
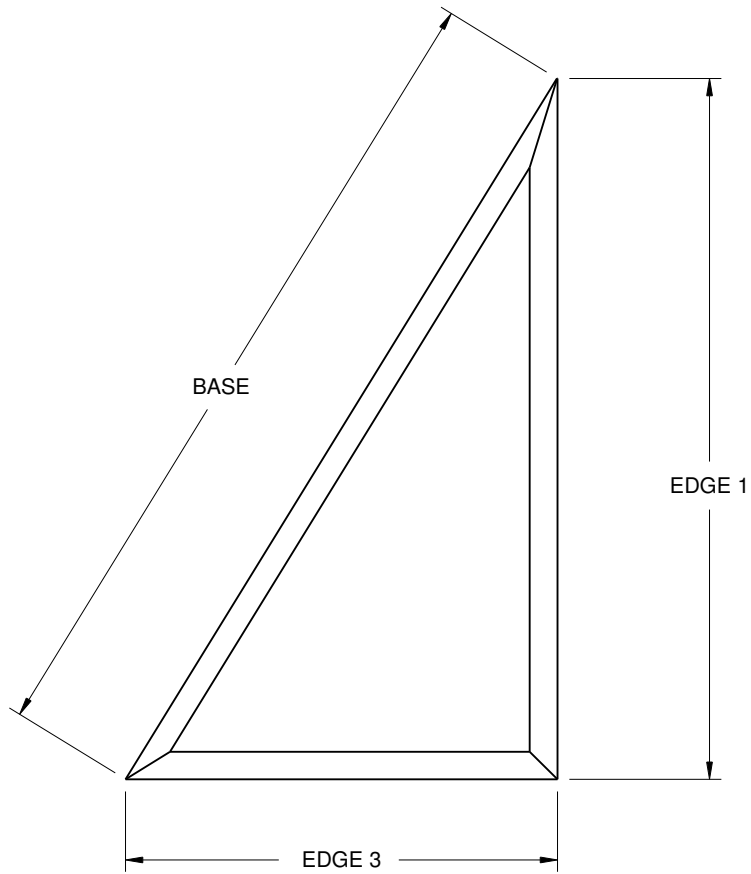
# PANEL B DIMENSIONS

NUMBER	BASE			EDGE 1			EDGE 2		
	LENGTH		CUT ANGLE (a)	LENGTH		CUT ANGLE (a)	LENGTH		CUT ANGLE (a)
	INCH	(cm)		INCH	(cm)		INCH	(cm)	
VOL-0034	6.938	(17.6)	38°	5.5	(14)	45°	4.25	(10.8)	45°
VOL-0035	8.625	(21.9)	41°	7.25	(18.4)				
VOL-0036	12.5	(31.8)	43°	11.75	(29.8)				
VOL-0037	9.063	(23)	38°	7	(17.8)	45°	5.75	(14.6)	45°
VOL-0038	12.625	(32.1)	42°	11.25	(28.6)				
VOL-0039	16.5	(41.9)	43°	15.5	(39.4)				
VOL-0040	9.375	(23.8)	34°	6.25	(15.9)	45°	7	(17.8)	45°
VOL-0041	13.063	(33.2)	40°	11	(28)				
VOL-0042	16.75	(42.5)	42°	15.25	(38.7)				
VOL-0043	20.5	(52.1)	43°	19.25	(48.9)				
VOL-0044	24.5	(62.2)	44°	23.5	(59.7)				
VOL-0045	10	(25.4)	28°	5.25	(13.3)	45°	8.5	(21.6)	45°
VOL-0046	13.5	(34.3)	38°	10.5	(26.7)				
VOL-0047	17	(43.2)	41°	14.75	37.5				
VOL-0048	20.813	(52.9)	42°	19	(48.3)				
VOL-0049	27.5	(69.9)	43°	23.25	(59.1)				
VOL-0050	14.375	(36.5)	32°	9	(22.9)	45°	11.25	(28.6)	45°
VOL-0051	17.75	(45.1)	38°	13.75	(34.9)				
VOL-0052	21.438	(54.5)	40°	18.25	(46.4)				
VOL-0053	25.375	(64.5)	42°	22.75	(57.8)				
VOL-0054	36.75	(93.3)	44°	35	(88.9)				
VOL-0055	48.563	(123.3)	44°	47.25	(120)				
VOL-0056	15.75	(40)	23°	6.75	(17.1)	45°	14.25	(36.2)	45°
VOL-0057	18.938	(48.1)	33°	12.5	(31.8)				
VOL-0058	22.375	(56.8)	38°	17.25	(43.8)				
VOL-0059	26	(66)	40°	21.75	(55.2)				
VOL-0060	35.313	(89.7)	43°	34.5	(87.6)				
VOL-0061	49.125	(124.8)	44°	47	(119.4)				
VOL-0062	19.938	(50.6)	28°	10.5	(26.7)	45°	17	(43.2)	45°
VOL-0063	23.313	(59.2)	34°	16	(40.6)				
VOL-0064	26.813	(68.1)	38°	20.75	(52.7)				
VOL-0065	38	(96.5)	42°	34	(86.4)				
VOL-0066	49.5	(125.7)	43°	46.5	(118.1)				

DECIMAL	FRACTION
0.063	1/16
0.125	1/8
0.188	3/16
0.250	1/4
0.313	5/16
0.375	3/8
0.438	7/16
0.500	1/2
0.563	9/16
0.625	5/8
0.688	11/16
0.750	3/4
0.813	13/16
0.875	7/8
0.938	15/16

PROJECT:			
<b>EUCLID</b>			
PROJECTBACKROADS.COM			
DESCRIPTION			
PYRAMID, 3 PANEL, BOX			
CORNER, SYMMETRIC			
SIZE	REV	PART#	SHEET
<b>A</b>	-	<b>DWG-0001</b>	<b>6 OF 8</b>

# PANEL C



PROJECT:			
<b>EUCLID</b>			
PROJECTBACKROADS.COM			
DESCRIPTION			
PYRAMID, 3 PANEL, BOX			
CORNER, SYMMETRIC			
SIZE	REV	PART#	SHEET
<b>A</b>	-	<b>DWG-0001</b>	7 OF 8

# PANEL C DIMENSIONS

NUMBER	BASE			EDGE 1			EDGE 3		
	LENGTH		CUT ANGLE (a)	LENGTH		CUT ANGLE (a)	LENGTH		CUT ANGLE (a)
	INCH	(cm)		INCH	(cm)		INCH	(cm)	
VOL-0034	6.938	(17.6)	29°	5.5	(14)	45°	4.25	(10.8)	45°
VOL-0035	8.625	(21.9)	41°	7.25	(18.4)				
VOL-0036	12.5	(31.8)	43°	11.75	(29.8)				
VOL-0037	9.062	(23)	38°	7	(17.8)	45°	5.75	(14.6)	45°
VOL-0038	12.625	(32.1)	42°	11.25	(28.6)				
VOL-0039	16.5	(41.9)	43°	15.5	(39.4)				
VOL-0040	9.375	(23.8)	34°	6.25	(15.9)	45°	7	(17.8)	45°
VOL-0041	13.063	(33.2)	40°	11	(28)				
VOL-0042	16.75	(42.5)	42°	15.25	(38.7)				
VOL-0043	20.5	(52.1)	43°	19.25	(48.9)				
VOL-0044	24.5	(62.2)	44°	23.5	(59.7)				
VOL-0045	10	(25.4)	28°	5.25	(13.3)	45°	8.5	(21.6)	45°
VOL-0046	13.5	(34.3)	38°	10.5	(26.7)				
VOL-0047	17	(43.2)	41°	14.75	(37.5)				
VOL-0048	20.813	(52.9)	42°	19	(48.3)				
VOL-0049	27.5	(69.9)	43°	23.25	(59.1)				
VOL-0050	14.375	(36.5)	32°	9	(22.9)	45°	11.25	(28.6)	45°
VOL-0051	17.75	(45.1)	38°	13.75	(34.9)				
VOL-0052	21.438	(54.5)	40°	18.25	(46.4)				
VOL-0053	25.375	(64.5)	42°	22.75	(57.8)				
VOL-0054	36.75	(93.3)	44°	35	(88.9)				
VOL-0055	48.563	(123.3)	44°	47.25	(120)				
VOL-0056	15.75	(40)	23°	6.75	(17.1)	45°	14.25	(36.2)	45°
VOL-0057	18.938	(48.1)	33°	12.5	(31.8)				
VOL-0058	22.375	(56.8)	38°	17.25	(43.8)				
VOL-0059	26	(66)	40°	21.75	(55.2)				
VOL-0060	35.313	(89.7)	43°	34.5	(87.6)				
VOL-0061	49.125	(124.8)	44°	47	(119.4)				
VOL-0062	19.938	(50.6)	28°	10.5	(26.7)	45°	17	(43.2)	45°
VOL-0063	23.313	(59.2)	34°	16	(40.6)				
VOL-0064	26.813	(68.1)	38°	20.75	(52.7)				
VOL-0065	38	(96.5)	42°	34	(86.4)				
VOL-0066	49.5	(125.7)	43°	46.5	(118.1)				

DECIMAL	FRACTION
0.063	1/16
0.125	1/8
0.188	3/16
0.250	1/4
0.313	5/16
0.375	3/8
0.438	7/16
0.500	1/2
0.563	9/16
0.625	5/8
0.688	11/16
0.750	3/4
0.813	13/16
0.875	7/8
0.938	15/16

PROJECT:			
<b>EUCLID</b>			
PROJECTBACKROADS.COM			
DESCRIPTION			
PYRAMID, 3 PANEL, BOX			
CORNER, SYMMETRIC			
SIZE	REV	PART#	SHEET
<b>A</b>	-	<b>DWG-0001</b>	<b>8 OF 8</b>